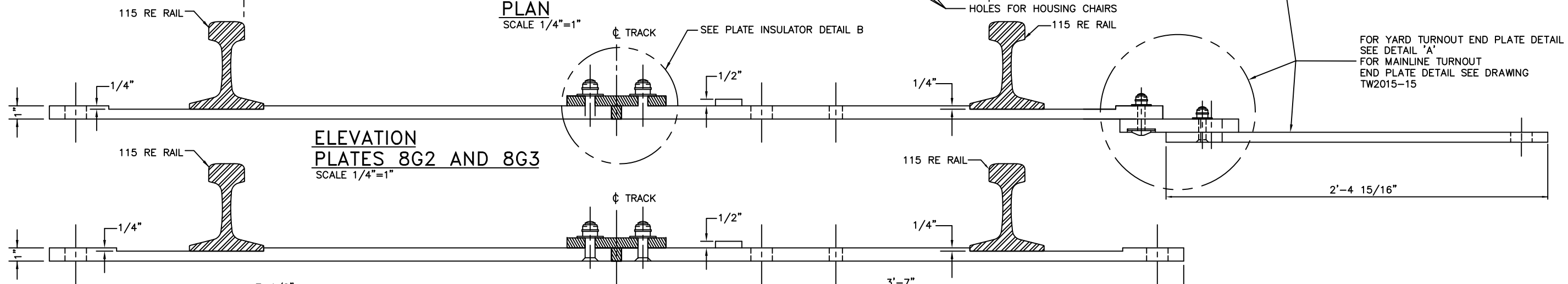
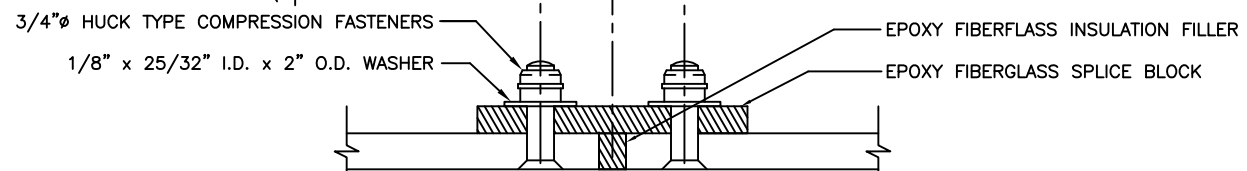
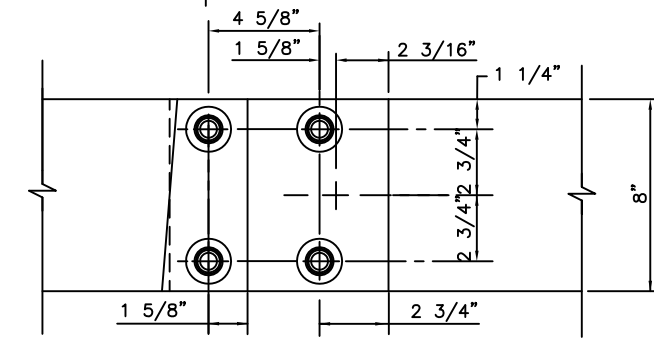
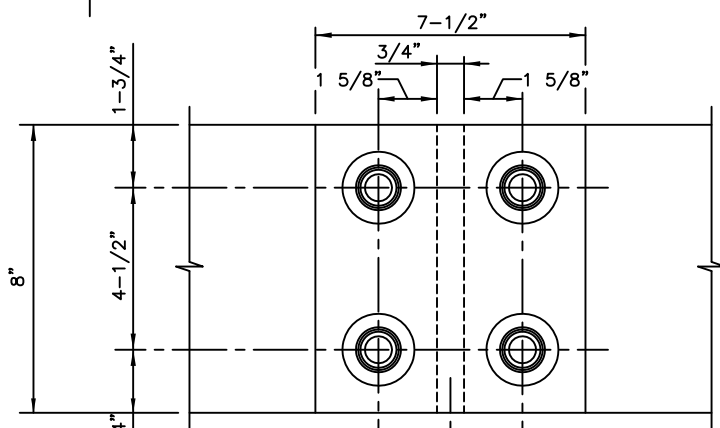


PLAN
SCALE 1/4"=1"

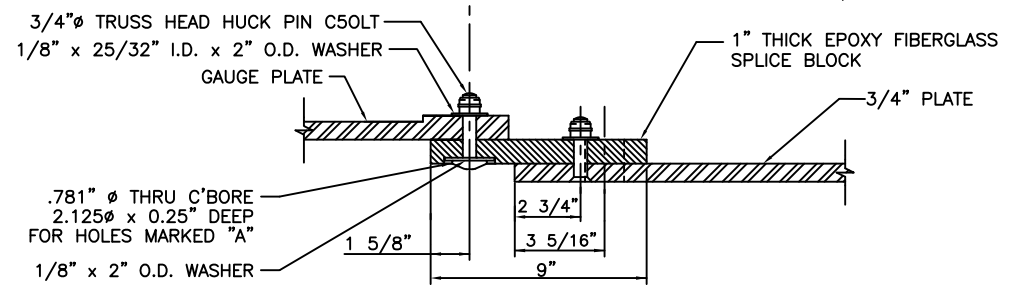


**ELEVATION
PLATES 8G2 AND 8G3**
SCALE 1/4"=1"

**ELEVATION
PLATES 8G1 AND 8G4**
SCALE 1/4"=1"



DETAIL B - PLATE INSULATOR
SCALE 3/8"=1"



DETAIL A - YARD SWITCH MAINLINE PLATES

DESIGNED R.REYES 12/08
DATE
DRAWN D.OLIVER 4/14
DATE
CHECKED R.AMIN 4/14
DATE
APPROVED _____
DATE

REFERENCE DRAWINGS	
NUMBER	DESCRIPTION

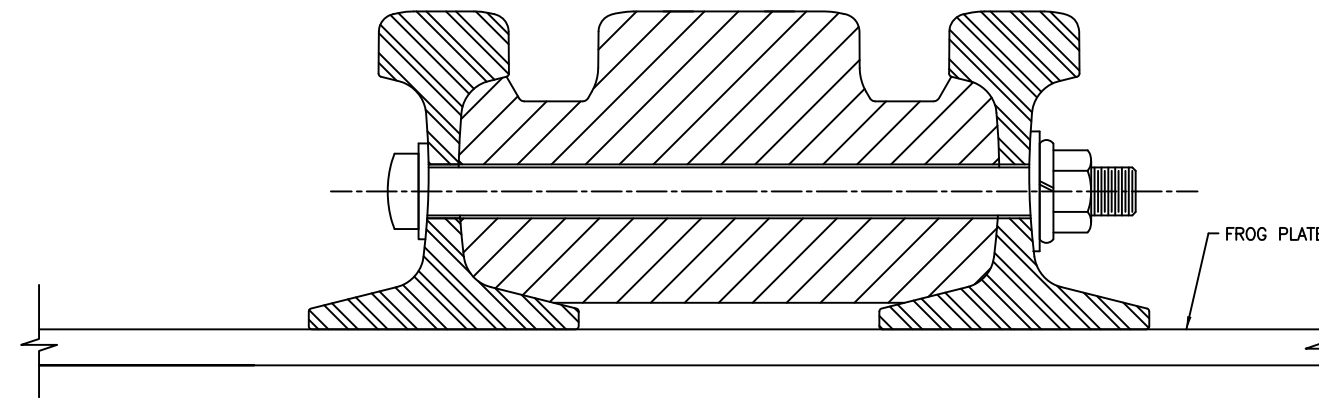
REVISIONS		
DATE	BY	DESCRIPTION
01/10	CAR	ADD NOTE FOR END PLATE DETAIL AND DELETE 4 ANCHOR BOLT HOLES.

WASHINGTON METROPOLITAN AREA TRANSIT AUTHORITY
DEPARTMENT OF OPERATIONS • RAIL SERVICES
OFFICE OF TRACK AND STRUCTURES SYSTEMS MAINTENANCE

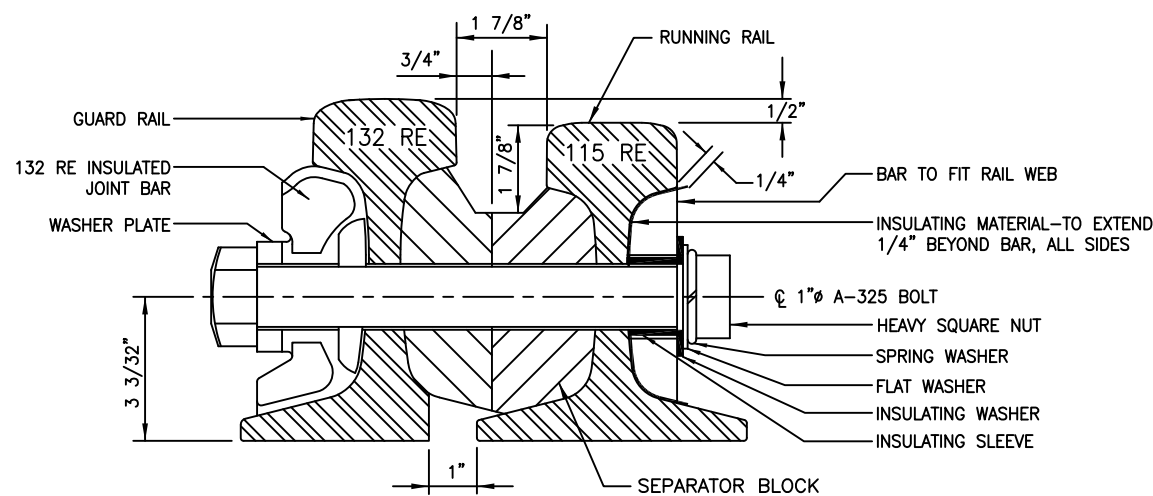
**TRACKWORK PROCUREMENT
NO. 8 GUARDED TURNOUT, DETAILS,
DIRECT FIXATION TRACK,
SHEET 1 OF 2**

APPROVED BY _____ SUBMITTED BY _____

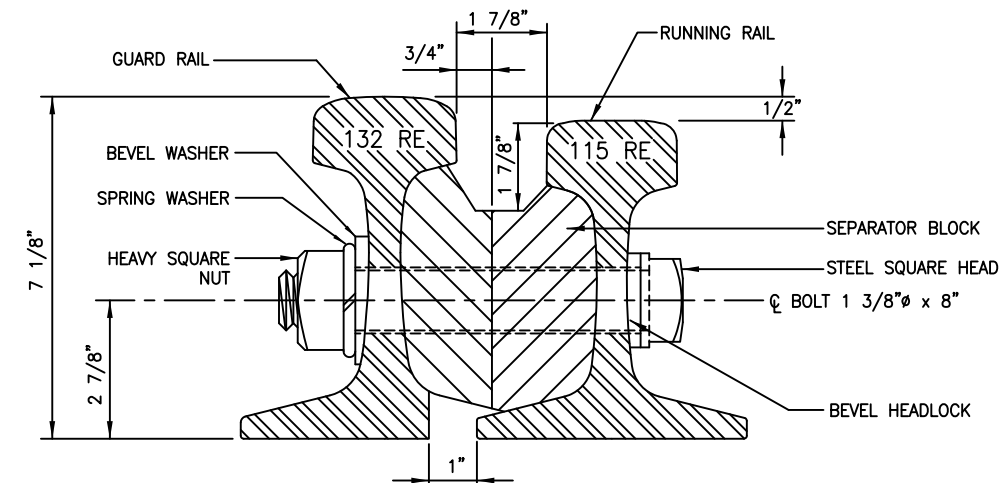
SCALE AS SHOWN DRAWING NO. TW2015-13 SHEET NO. 13



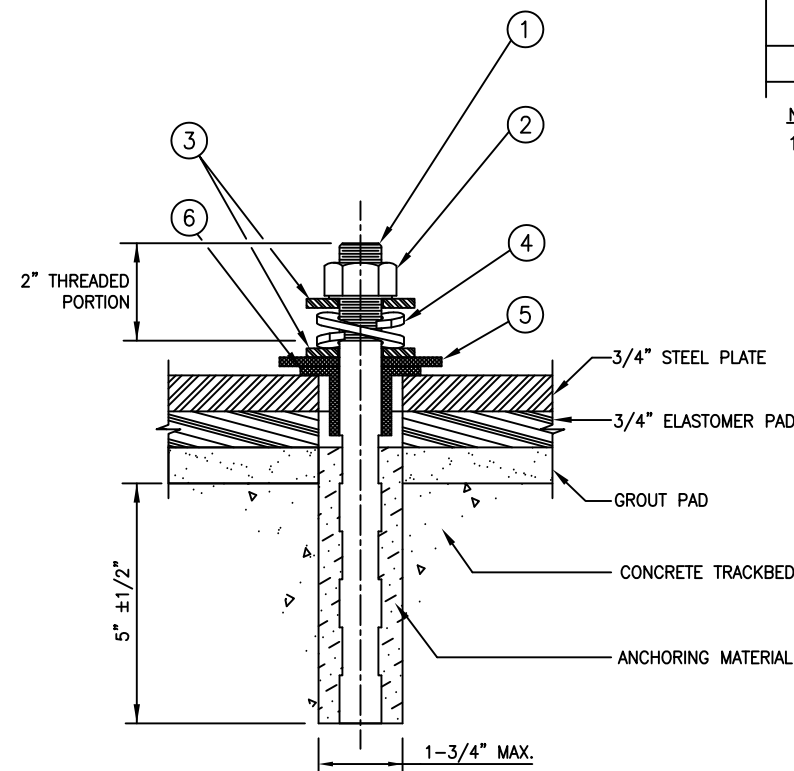
SECTION A-A - PLATED FROG
NOT TO SCALE



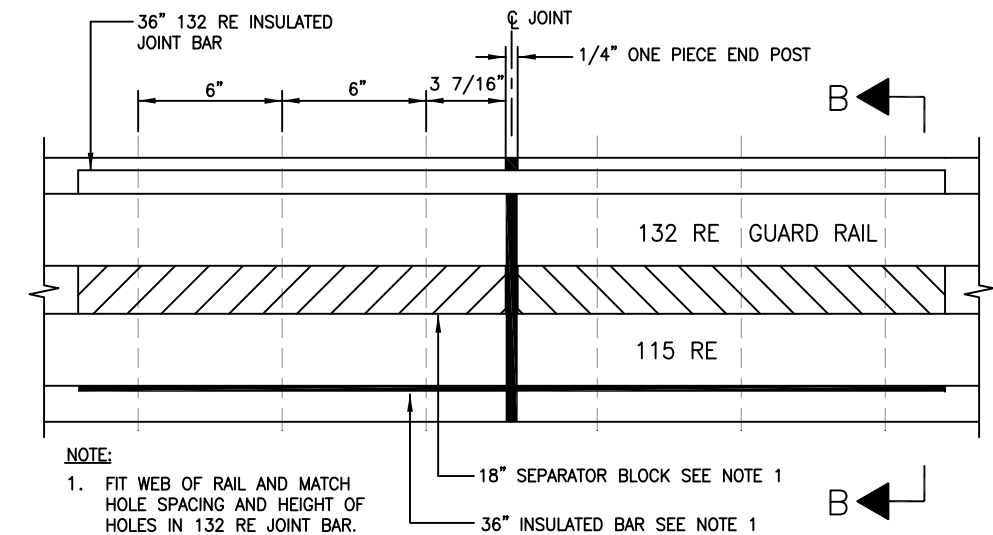
SECTION B-B - DOUBLE RAIL INSULATED JOINT
NOT TO SCALE



SECTION C-C - SEPARATOR BLOCK
NOT TO SCALE



SPECIAL PLATE ANCHOR ASSEMBLY (N.I.C.)
NOT TO SCALE



DETAIL - DOUBLE RAIL INSULATED JOINT
NOT TO SCALE

BILL OF MATERIAL - ANCHOR ASSEMBLY		
ITEM	QTY.	DESCRIPTION - FURNISHED BY OTHERS
1	1	THREADED ROD HOT DIPPED GALVANIZED 7/8"x11" ASTM-A563
2	1	STEEL HEX NUT FOR 7/8" BOLT, WASHER FACED, ASTM-A-325
3	2	STEEL WASHER, 15/16" I.D., 2-1/4" O.D., 3/16" THICK, ASTM-A-325
4	1	DOUBLE COIL SPRING WASHER
5	1	INSULATING FIBER WASHER, 1-9/32" I.D., 3-3/8" O.D.
6	1	ONE PIECE - INSULATING FIBER WASHER (29/32" I.D., 2-1/2" O.D.) AND INSULATING FIBER SLEEVE (29/32" I.D., 1-9/32" O.D.)

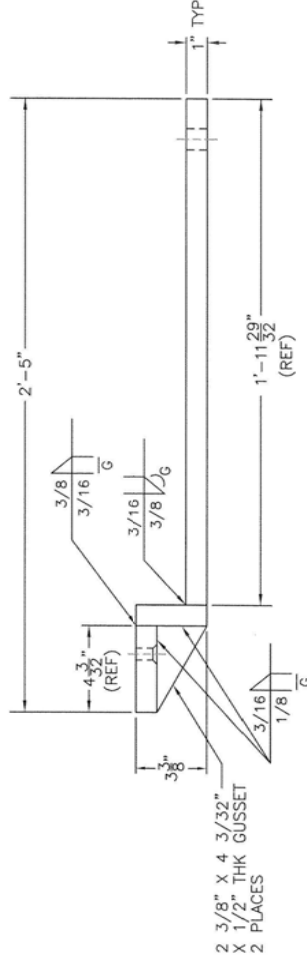
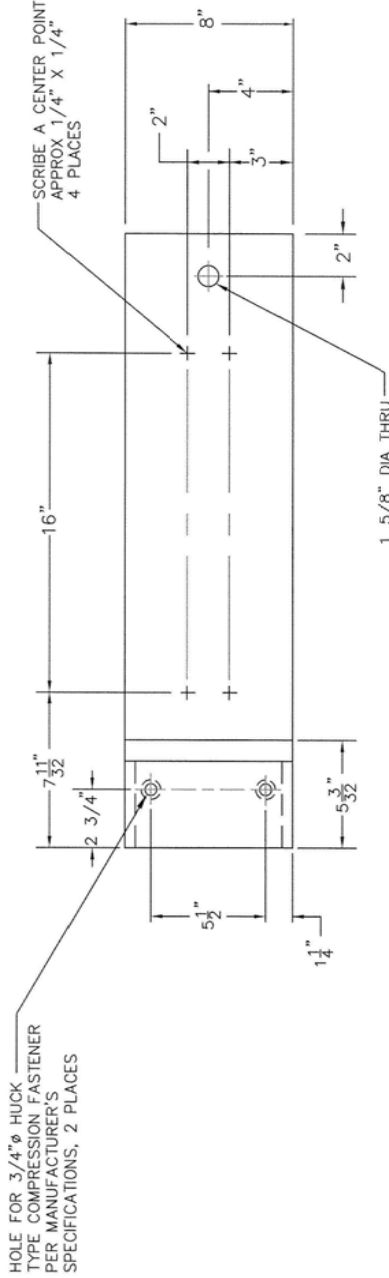
DESIGNED R.REYES 12/08
DATE
DRAWN D.OLIVER 4/2014
DATE
CHECKED R.AMIN 4/2014
DATE
APPROVED _____
DATE

REFERENCE DRAWINGS	
NUMBER	DESCRIPTION

REVISIONS		
DATE	BY	DESCRIPTION

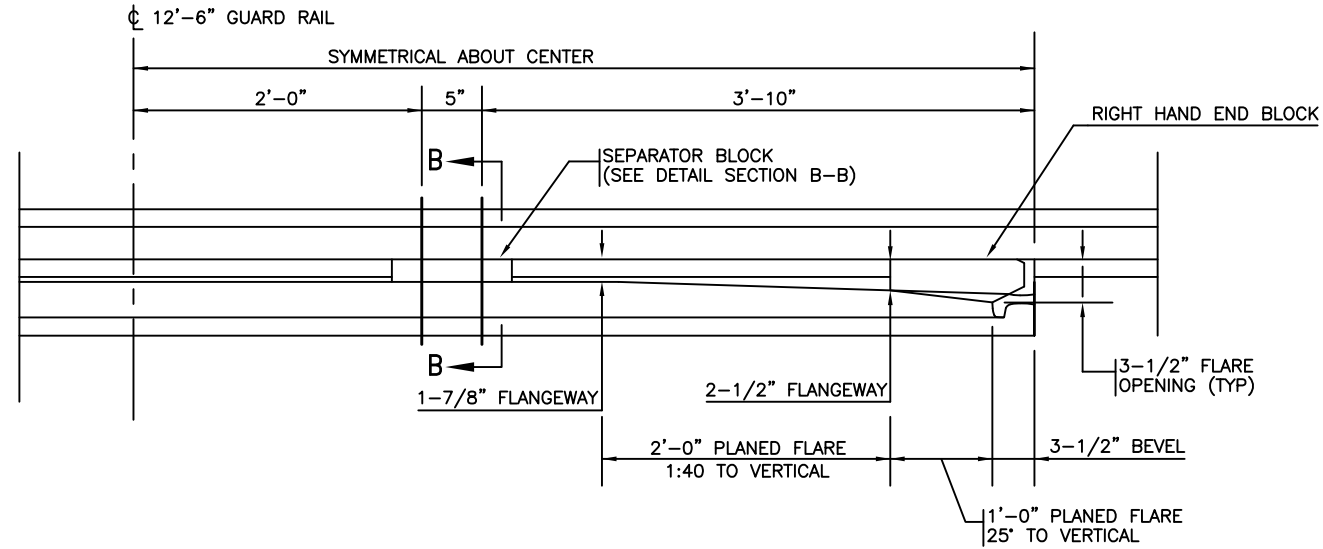
WASHINGTON METROPOLITAN AREA TRANSIT AUTHORITY
DEPARTMENT OF TRANSIT INFRASTRUCTURE
ENGINEERING SERVICES
OFFICE OF TRACK AND STRUCTURES
APPROVED BY _____ SUBMITTED BY _____

TRACKWORK PROCUREMENT
NO. 8 PLATED TURNOUT, DETAILS,
DIRECT FIXATION TRACK,
SHEET 2 OF 2
SCALE NOT TO SCALE DRAWING NO. TW2015-14 SHEET NO. 14



NOTES:
 1. MATERIAL: ASTM A36 STEEL, 1" THICK.

DESIGNED <u>H. HELMANN</u> DATE <u>04/14</u>	REFERENCE DRAWINGS NUMBER DESCRIPTION	REVISIONS DATE BY DESCRIPTION 1/13/09 HH Δ CHANGED HOLE PATTERN	TITLE: END PLATE FOR M3 SWITCH MACHINE
DRAWN <u>D. OLIVER</u> DATE <u>04/14</u>			DRAWING NO.: TW2015-15
CHECKED <u>R. AMIN</u> DATE			SCALE: 1/8"
APPROVED _____ DATE			SHEET: 15
WASHINGTON METROPOLITAN AREA TRANSIT AUTHORITY DEPARTMENT OF TRANSIT INFRASTRUCTURE ENGINEERING SERVICES OFFICE OF TRACK AND STRUCTURES		APPROVED _____	



12'-6" GUARDRAIL
SCALE: 1 1/2"=1'-0"

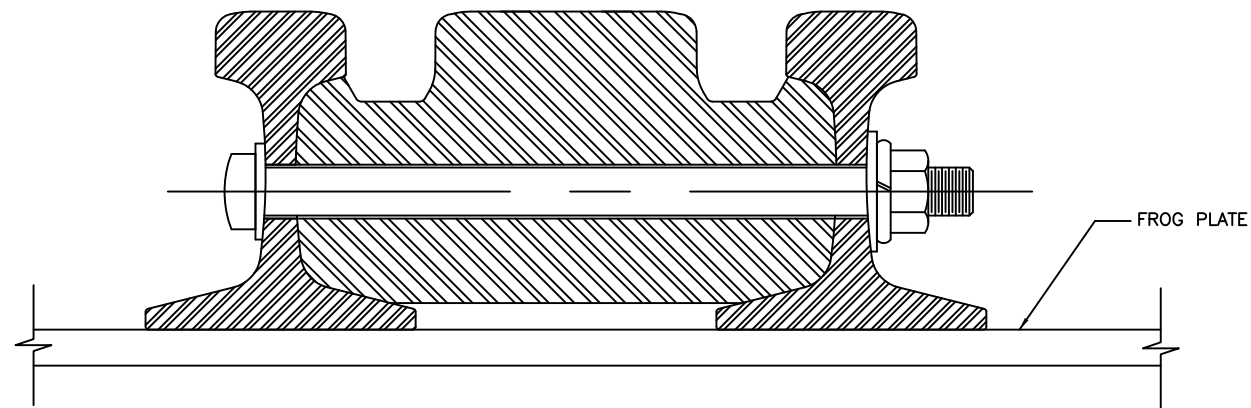
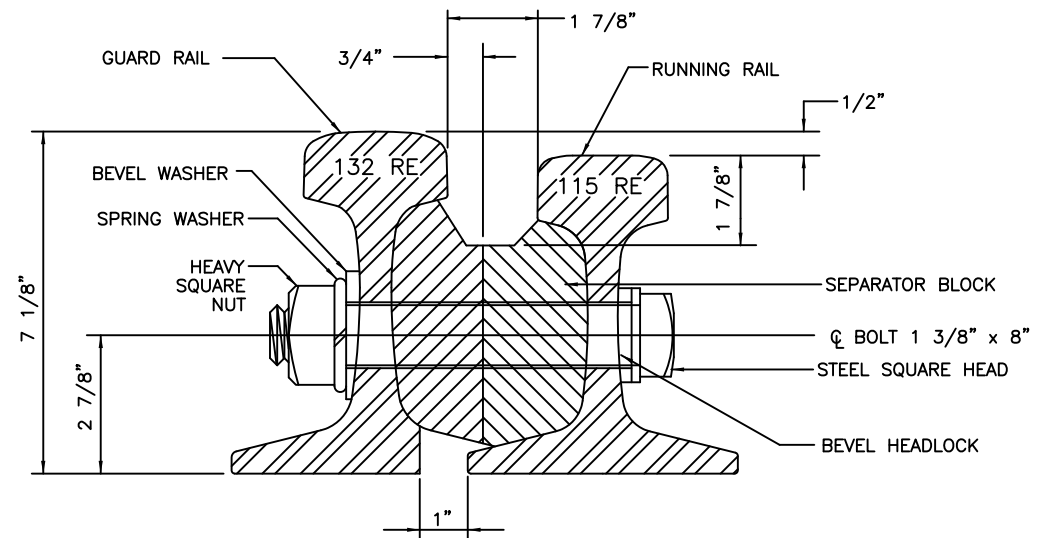


PLATE DETAIL; SECTION A-A
NOT TO SCALE



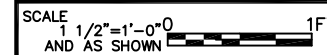
SECTION B-B - SEPARATOR BLOCK
SCALE: HALF SIZE

DESIGNED <u>R.REYES</u>	<u>08/12</u>	REFERENCE DRAWINGS		REVISIONS		
DRAWN <u>D.OLIVER</u>	<u>4/2014</u>	NUMBER	DESCRIPTION	DATE	BY	DESCRIPTION
CHECKED <u>R.AMIN</u>	<u>4/2014</u>					
APPROVED _____	DATE					

WASHINGTON METROPOLITAN AREA TRANSIT AUTHORITY
DEPARTMENT OF TRANSIT INFRASTRUCTURE
ENGINEERING SERVICES
OFFICE OF TRACK AND STRUCTURES

TRACKWORK PROCUREMENT
NO. 10 PLATED TURNOUT, DETAILS,
BALLASTED TRACK,
SHEET 2 OF 2

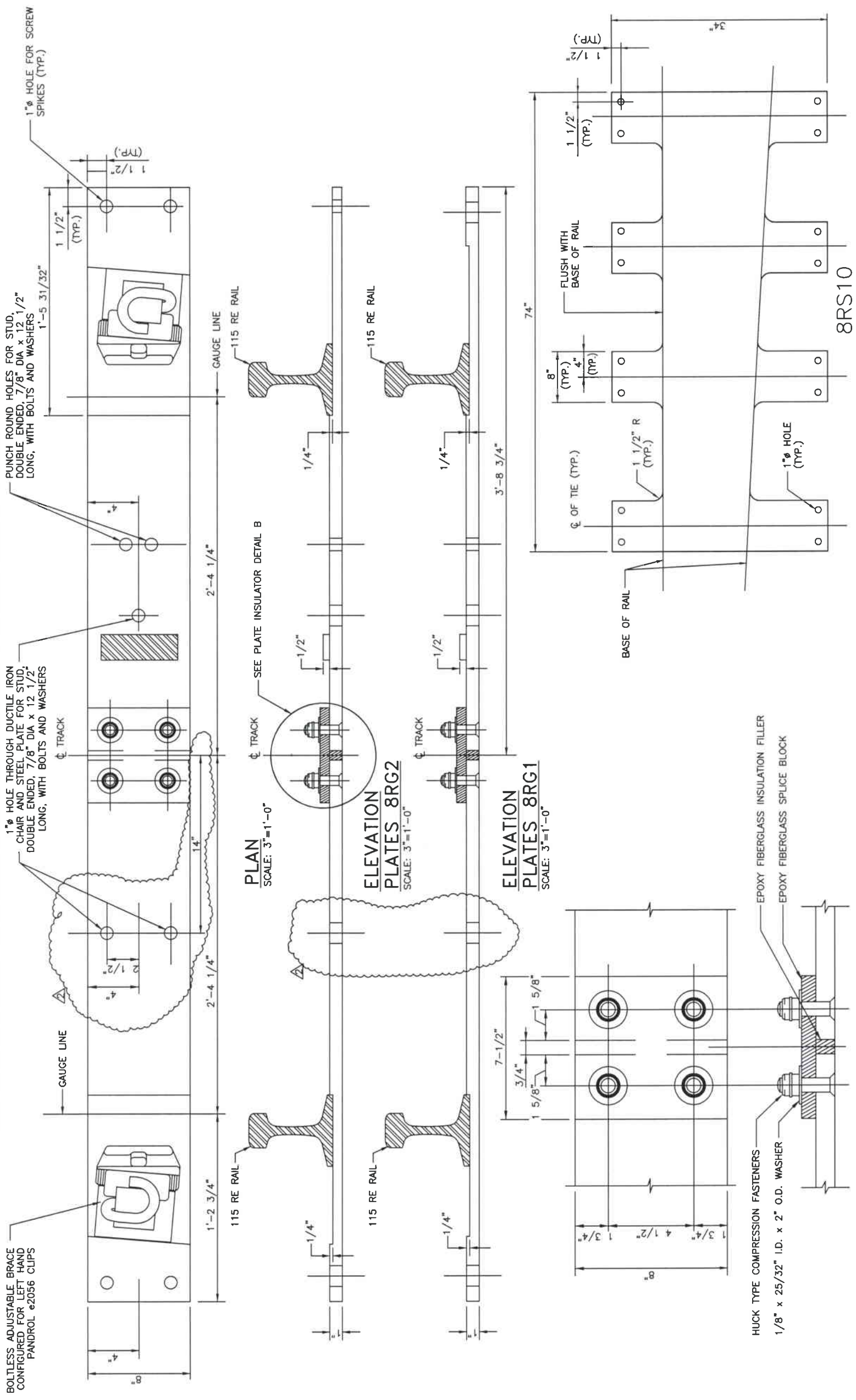
APPROVED BY _____ SUBMITTED BY _____



DRAWING NO. TW2015-21

SHEET NO. 21

WMATA CONFIDENTIAL INFORMATION - DO NOT DISCLOSE WITHOUT EXPRESS WRITTEN APPROVAL OF THE GENERAL MANAGER OF THE AUTHORITY



DETAIL B - PLATE INSULATOR
SCALE: 3/8"=1'-0"

DETAIL - CUTOUT FOR PLATE
SCALE: 1 1/2"=1'-0"

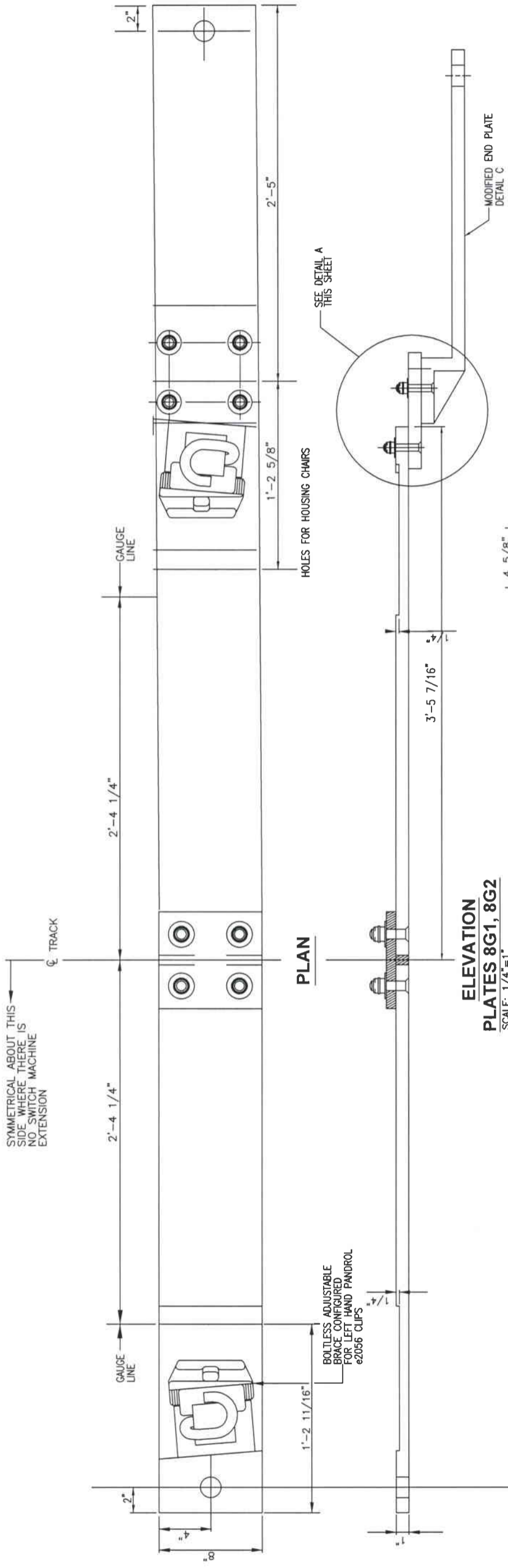
DESIGNED	DATE	REVISIONS
ISSA	06/2013	
ESSJ	06/2013	
R.ROCKEFELLER	06/2013	
J.KEE	06/2013	

REFERENCE DRAWINGS	DATE	BY	DESCRIPTION
	04/2005		REV FOR DD-DWG APPROVAL APR. 2005
	06/2013	ES-M	ADDED DRILL HOLES FOR DUCTILE IRON CHAIR

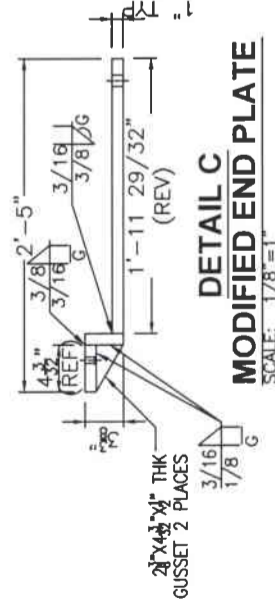
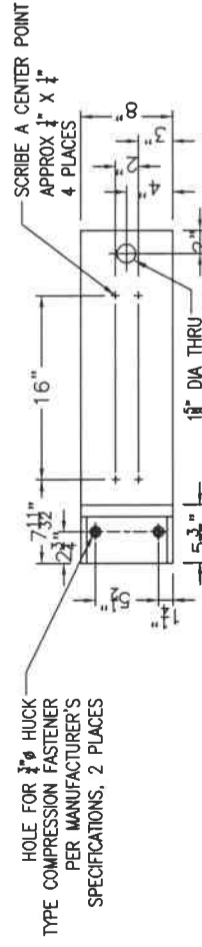
WASHINGTON METROPOLITAN AREA TRANSIT AUTHORITY
DEPARTMENT OF TRANSIT INFRASTRUCTURE ENGINEERING SERVICES OFFICE OF TRACK AND STRUCTURES

TRACKWORK PROCUREMENT
TW2016
NO. 8 GUARDED TURNOUT, DETAILS, BALLASTED TRACK, SHEET 1 OF 2
APPROVED BY: _____
NOT TO SCALE
DRAWING NO. TW2016-7
SHEET NO. 7

WMATA CONFIDENTIAL INFORMATION - DO NOT DISCLOSE WITHOUT EXPRESS WRITTEN APPROVAL OF THE GENERAL MANAGER OF THE AUTHORITY



ELEVATION
PLATES 8G1, 8G2
 SCALE: 1/4"=1"



DESIGNED	TJFA	06/2013	DATE
DRAWN	ESSAL-MHJMA	06/2013	DATE
CHECKED	P.ROCKEVELL	06/2013	DATE
APPROVED	AGE	06/2013	DATE

REFERENCE DRAWINGS		REVISIONS	
NUMBER	DESCRIPTION	DATE	BY

WASHINGTON METROPOLITAN AREA TRANSIT AUTHORITY
 DEPARTMENT OF TRANSIT INFRASTRUCTURE
 ENGINEERING SERVICES
 OFFICE OF TRACK AND STRUCTURES

TRACKWORK PROCUREMENT
 TW2017
 NO. 8 GUARDED TURNOUT, DETAIL-INSULATOR
 DIR. FIX. TRACK, MOD END PLATE M3 SW. MACHINE

SCALE: 1/4"=1'-0"
 AND AS SHOWN 0 1 2FT

DRAWING NO. TW2017-16
 SHEET NO. 16